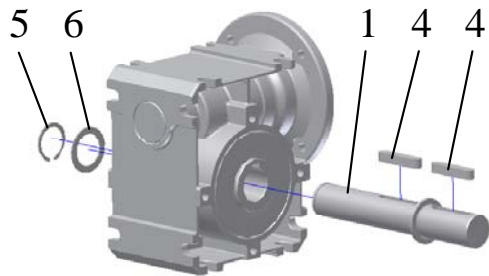


□ 60393010, □ 60393110, □ 60393210
SK 1SI 31

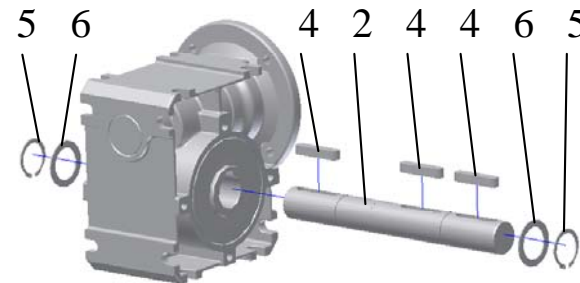


| Set 60399001 | | | | | |
|--------------|-------------|-------------|---|-----------|--------------|
| 1 | 2 | 3 | 4 | 5 | 6 |
| | | | | | |
| 1x 603 3590 | 1x 603 3591 | 1x 603 3592 | 3x $\frac{3}{16} \times \frac{3}{16} \times 1\frac{1}{4}$ | 2x SR A16 | 2x 16x22x1,5 |

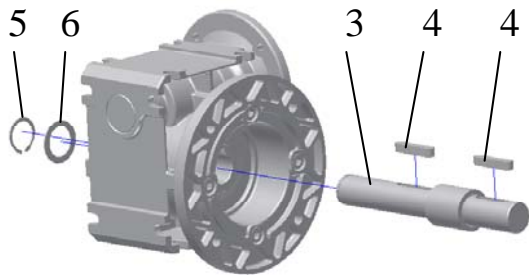
60393010



60393110



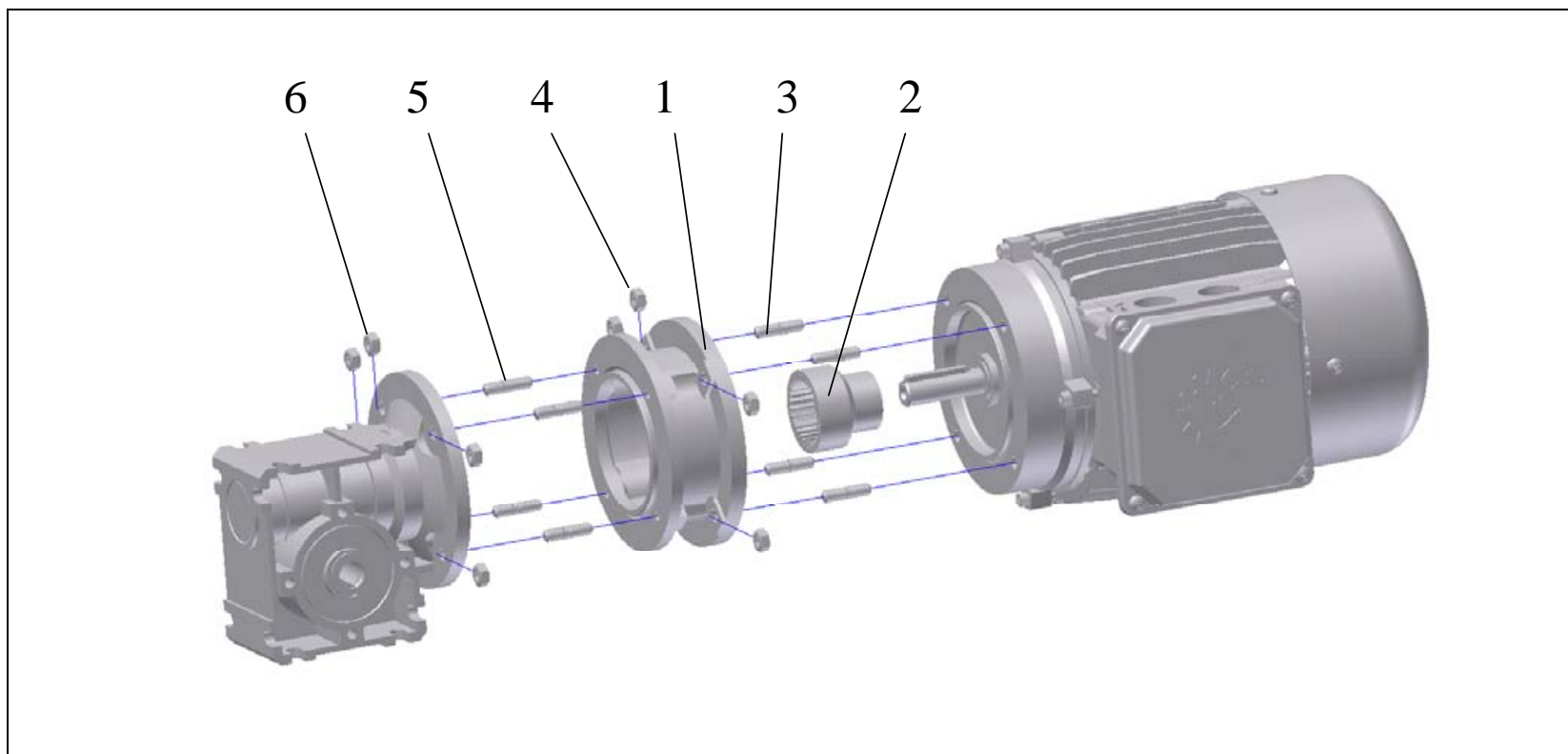
60393210



60395500
SK 1SI 31





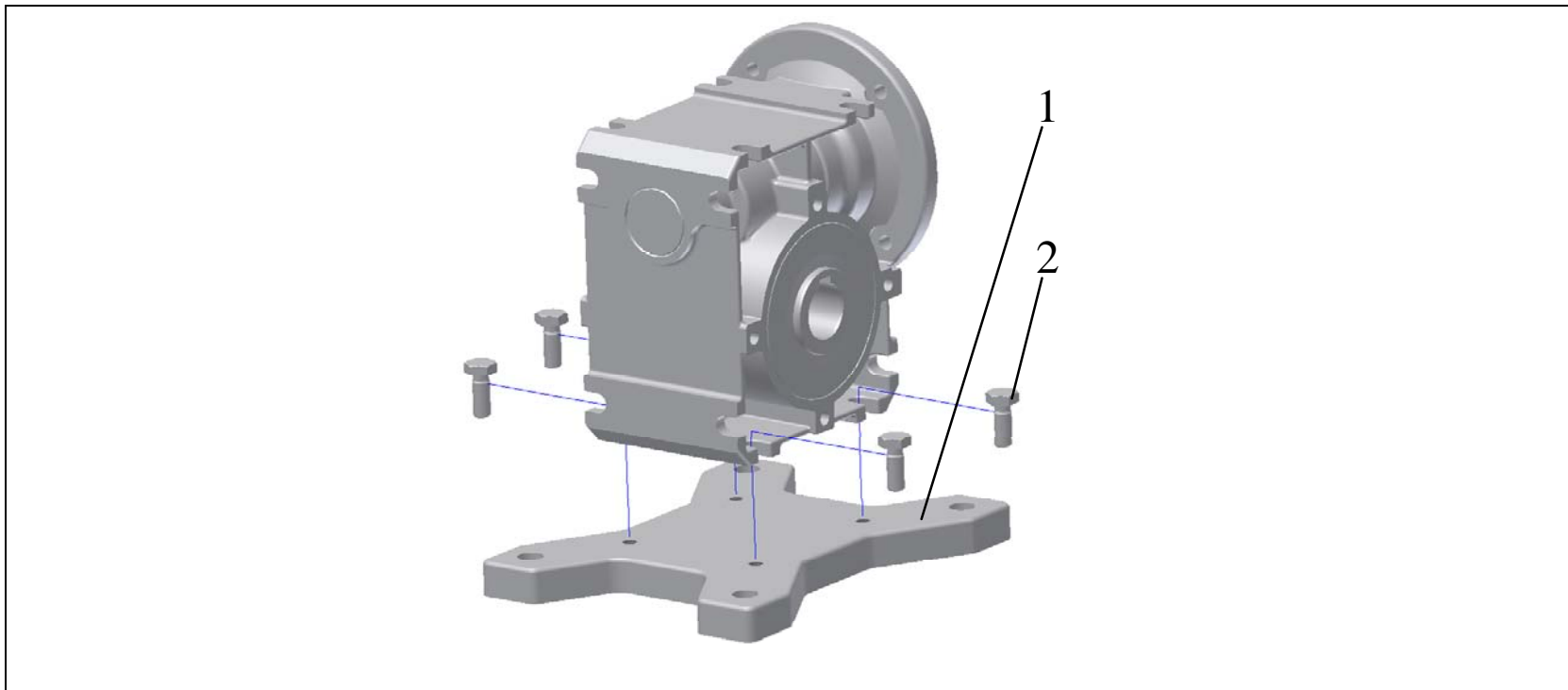
| Set 60399500 | | | | | |
|-------------------|----------------------|---------------------|--------------------------------|--------------------|--------------------------|
| 1 | 2 | 3 | 4 | 5 | 6 |
| | | | | | |
| 1x 6031590 | 1x BJ14 d=1/2 | 4 x 1/4 - 20 | 4 x 1/4 - 20 Nm = 11 | 4 x M6 x 15 | 4 x M6 Nm = 11 |



□ 60394600, □ 60494600
SK 1SI 31 / SK 1SI 40





| Set 60399600 | |
|--|--|
| 1  | 2  |
| 1x 603 1980 o. 1x 604 1980 | 4x M6 x 18 Nm = 11 |

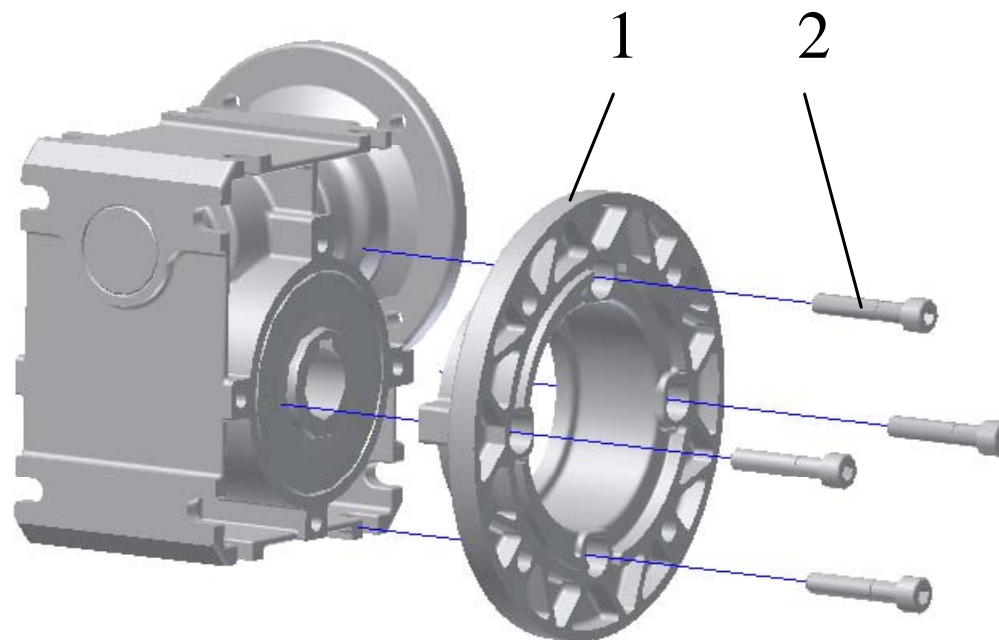


60393800
SK 1SI 31






| Set 60399800 | |
|--|--|
| 1  | 2  |
| 1x 603 1470 | 4x M6 x 35 Nm = 11 |

60393800

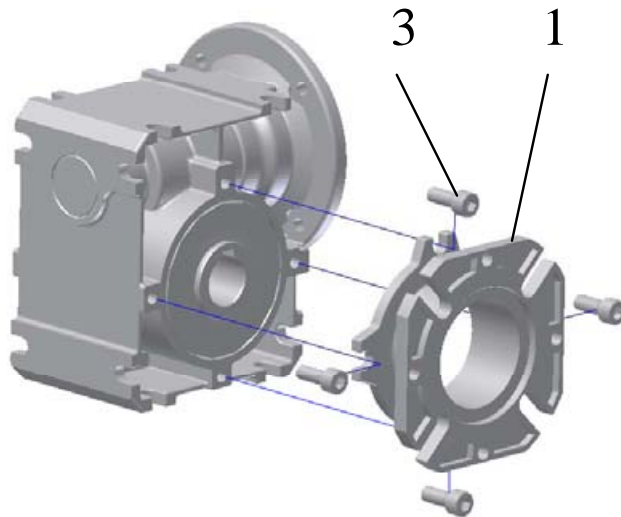


□ 60393810, □ 60393820, □ 60393950
SK 1SI 31

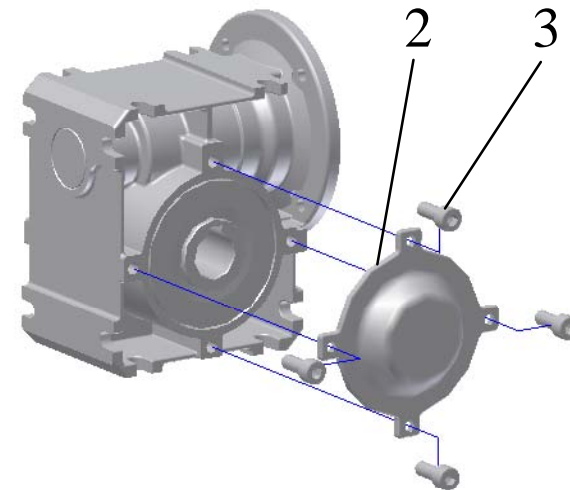


| Set 60399810 | | |
|--|--|--|
| 1  | 2  | 3  |
| 1x 603 1480 o. 1x 603 1481 | 1x 603 1971 | 4x M6 x 12 Nm = 11 |

60393810 + 60393820



60393950

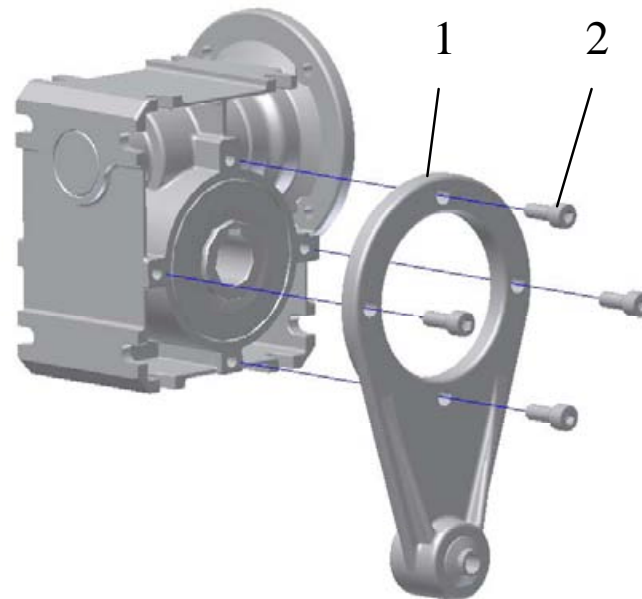


60393900
SK 1SI 31



| Set 60399900 | |
|--|--|
| 1  | 2  |
| 1x 603 9075 | 4x M6 x 16 Nm = 11 |

60393900



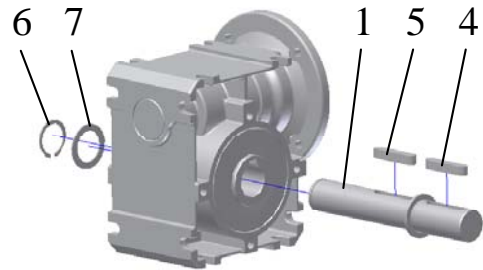
06803900

□ 60493010, □ 60493110, □ 60493210
SK 1SI 40

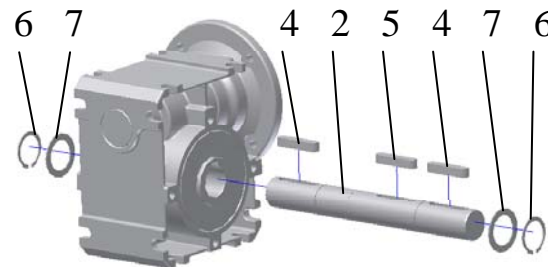


| | | | Set 60499001 | | | |
|-------------|-------------|-------------|---|---|-----------|------------|
| 1 | 2 | 3 | 4 | 5 | 6 | 7 |
| | | | | | | |
| 1x 604 3573 | 1x 604 3574 | 1x 604 3575 | 2x $\frac{3}{16} \times \frac{3}{16} \times 1\frac{1}{4}$ | 1x $\frac{1}{4} \times \frac{1}{4} \times 1\frac{5}{8}$ | 2x SR A25 | 2x 26x37x1 |

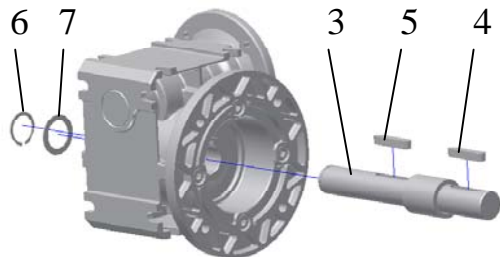
60493010



60493110













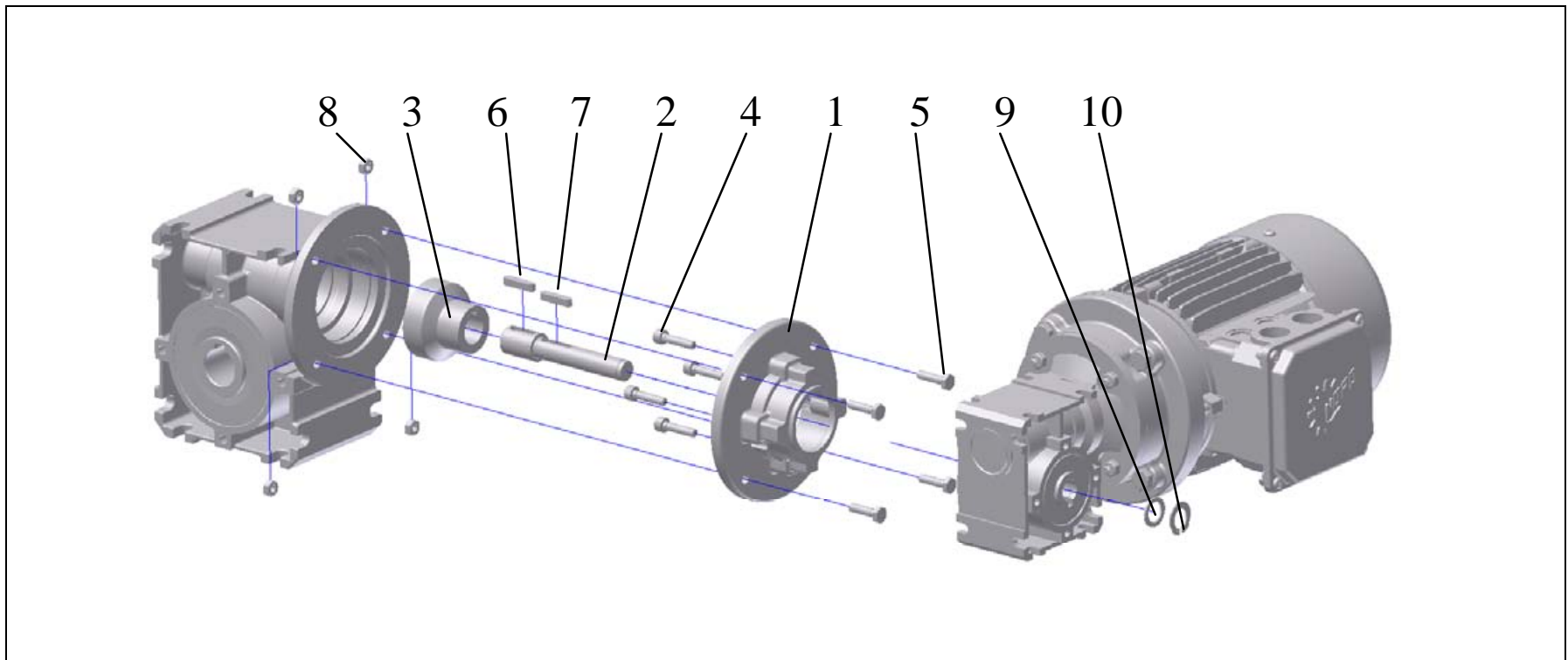
60493210



60494110
SK 1SI 40/50/63



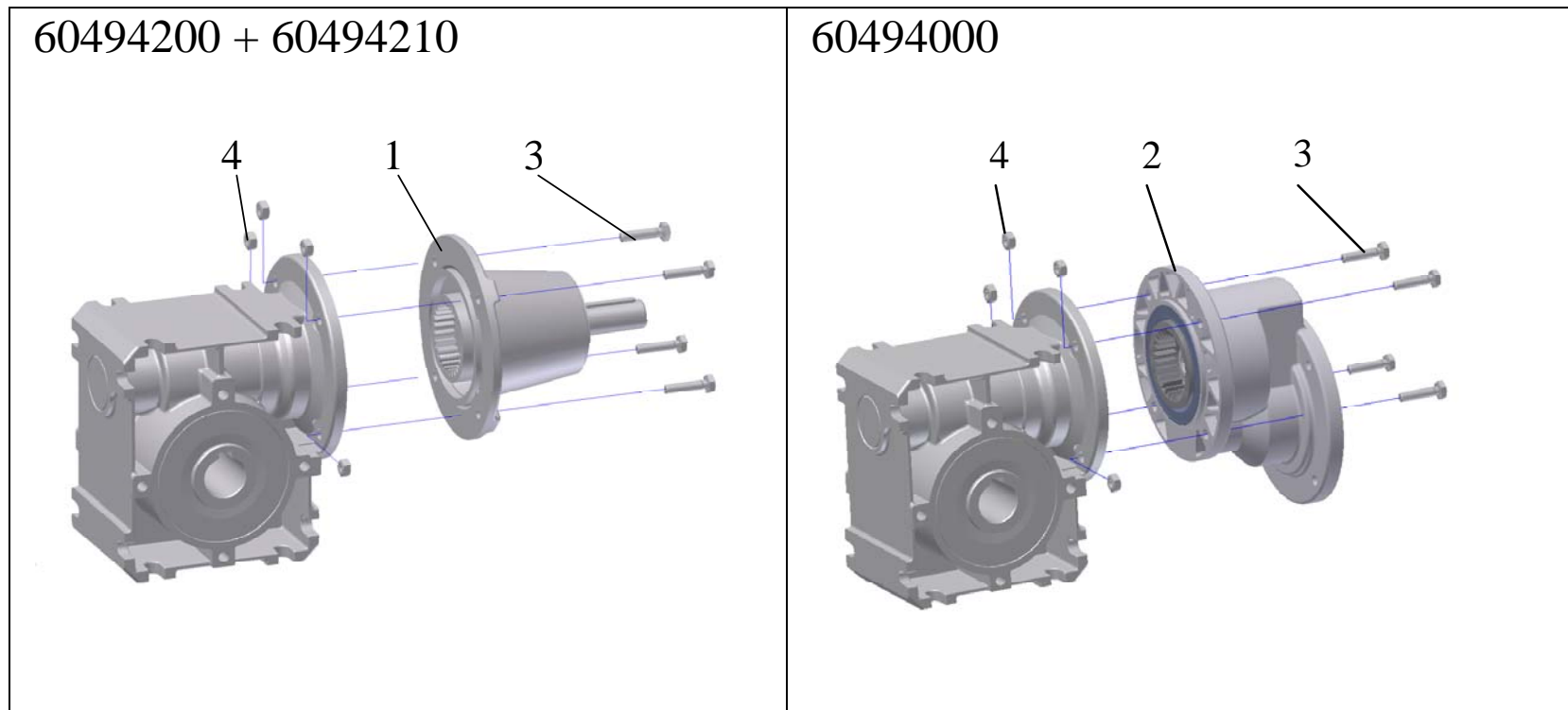
| Set 60499401 | | | | | | | | | |
|---|---|---|---|--|---|---|---|---|---|
| 1 | 2 | 3 | 4 | 5 | 6 | 7 | 8 | 9 | 10 |
|  |  |  |  |  |  |  |  |  |  |
| 1x 6031474 | 1x 6033595 | 1x BJ24 d=19 | 4x M6x25 Nm = 11 | 4x M6x22 Nm = 11 | 1x A6x6x20 | 1x 3/16x3/16 | 4x M6 Nm = 11 | 1x 16x22x1,5 | 1x SR A16 |



□ 60494000, □ 60494200, □ 60494210
 SK 1SI 40/50/63








| Set 60499410 | | | |
|-------------------------|----------|-------------|-------------------|
| 1 | 2 | 3 | 4 |
| 60490760 o. 60490790 | 60490780 | 4 x M6 x 25 | 4 x M6 Nm = 11 |

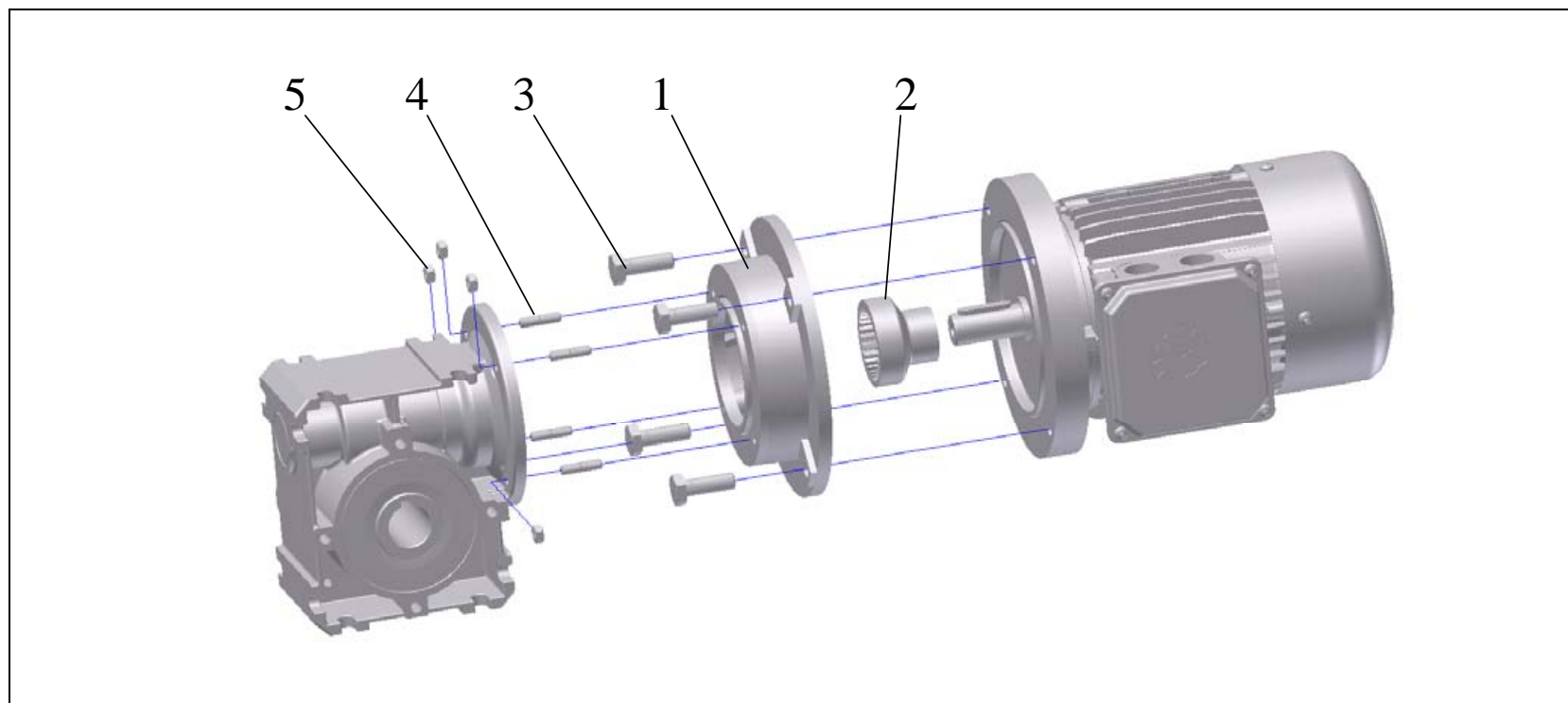


□ 60395510, □ 60495500, □ 60595500

SK 1SI 31/40/50/63





| Set 60499500 | | | | |
|---|---|---|---|---|
| 1 | 2 | 3 | 4 | 5 |
|  |  |  |  |  |
| 1x 603 1591 1x 604 1590 1x 605 1590 | 1x BJ14 d=5/8 1x BJ24 d=5/8 1x BJ24 d=7/8 | 4 x $\frac{3}{8}$ -16 x 1 | 4 x M6 x 15 | 4 x M6 Nm = 11 |

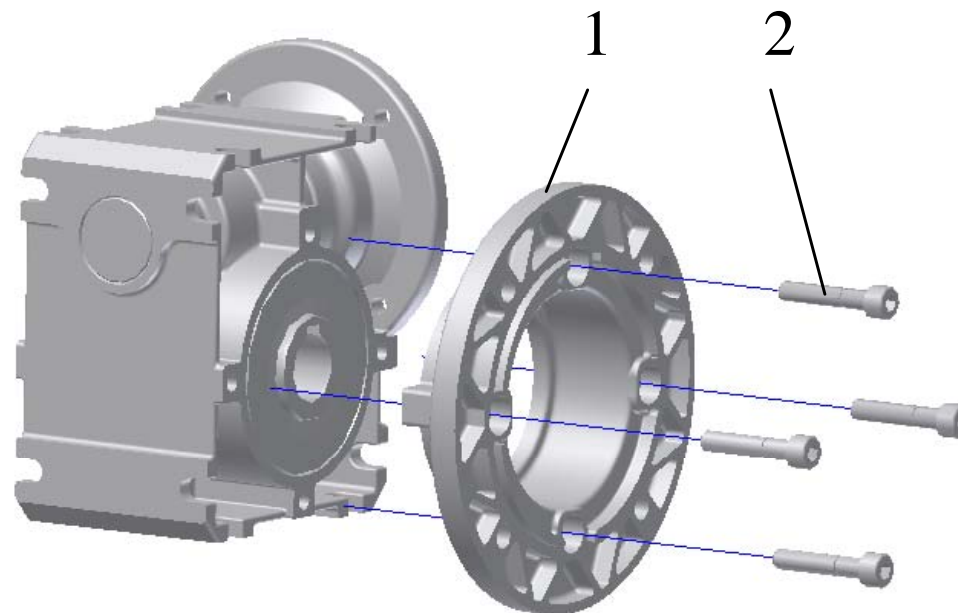


□ 60493800, □ 60593800
SK 1SI 40 / SK 1SI 50



| Set 60499800 | |
|--|--|
| 1  | 2  |
| 1x 604 1470 o. 1x 605 1470 | 4x M8 x 40 Nm = 27 |

60493800 + 60593800







60493810, 60593810, 60593820

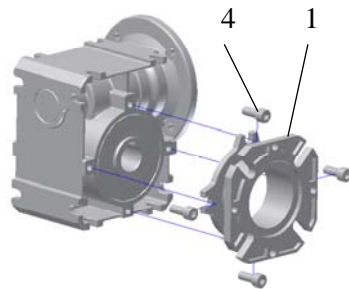
60493910, 60593910, 60493950, 60593950

SK 1SI 40 / SK 1SI 50

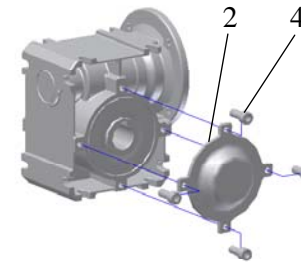


| Set 60499810 | | | |
|---|---|---|---|
| 1 | 2 | 3 | 4 |
|  |  |  |  |
| 1x 604 1480 o. 1x 605 1480 o. 1x 605 1481 | 1x 604 1971 o. 1x 605 1971 | 1x 604 9077 o. 1x 605 9077 | 4x M8 x 16 Nm = 27 |

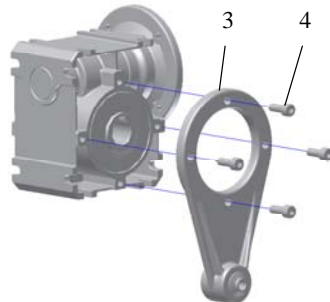
60493810 + 60593810 + 60593820



60493950 + 60593950





60493910 + 60593910

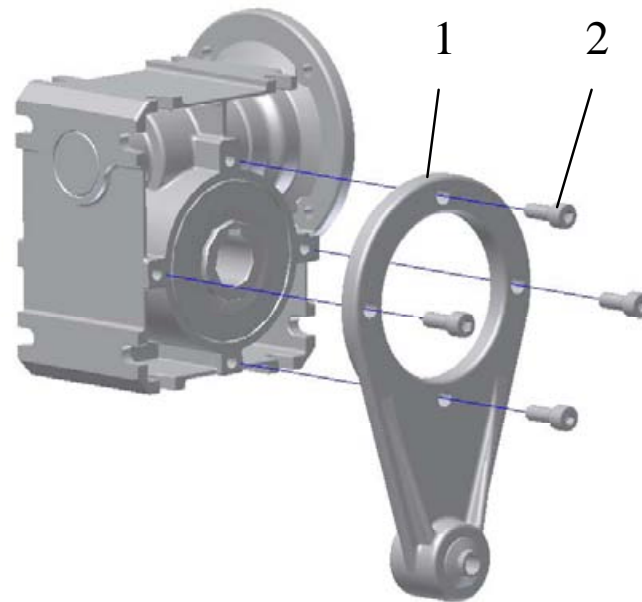


□ 60493900, □ 60593900
SK 1SI 40 / SK 1SI 50



| Set 60499900 | |
|--|--|
| 1  | 2  |
| 1x 604 9075 o. 1x 605 9075 | 4x M8 x 20 Nm = 27 |







60493900 + 60593900



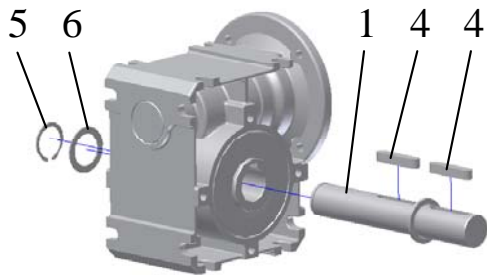
□ 60593010, □ 60593110, □ 60593210

SK 1SI 50

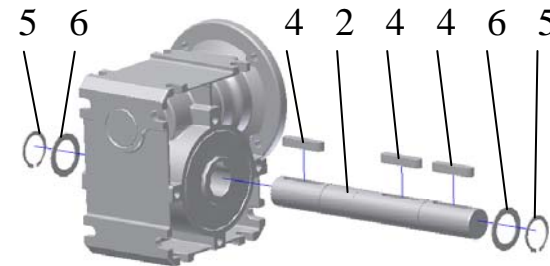


| Set 60599001 | | | | | |
|--|--|--|--|--|--|
| 1  | 2  | 3  | 4  | 5  | 6  |
| 1x 605 3590 | 1x 605 3591 | 1x 605 3592 | 3x $\frac{1}{4} \times \frac{1}{4} \times 1\frac{5}{8}$ | 2x SR A28 | 2x 30x42x1 |

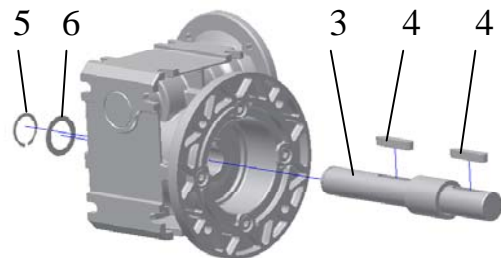
60593010



60593110





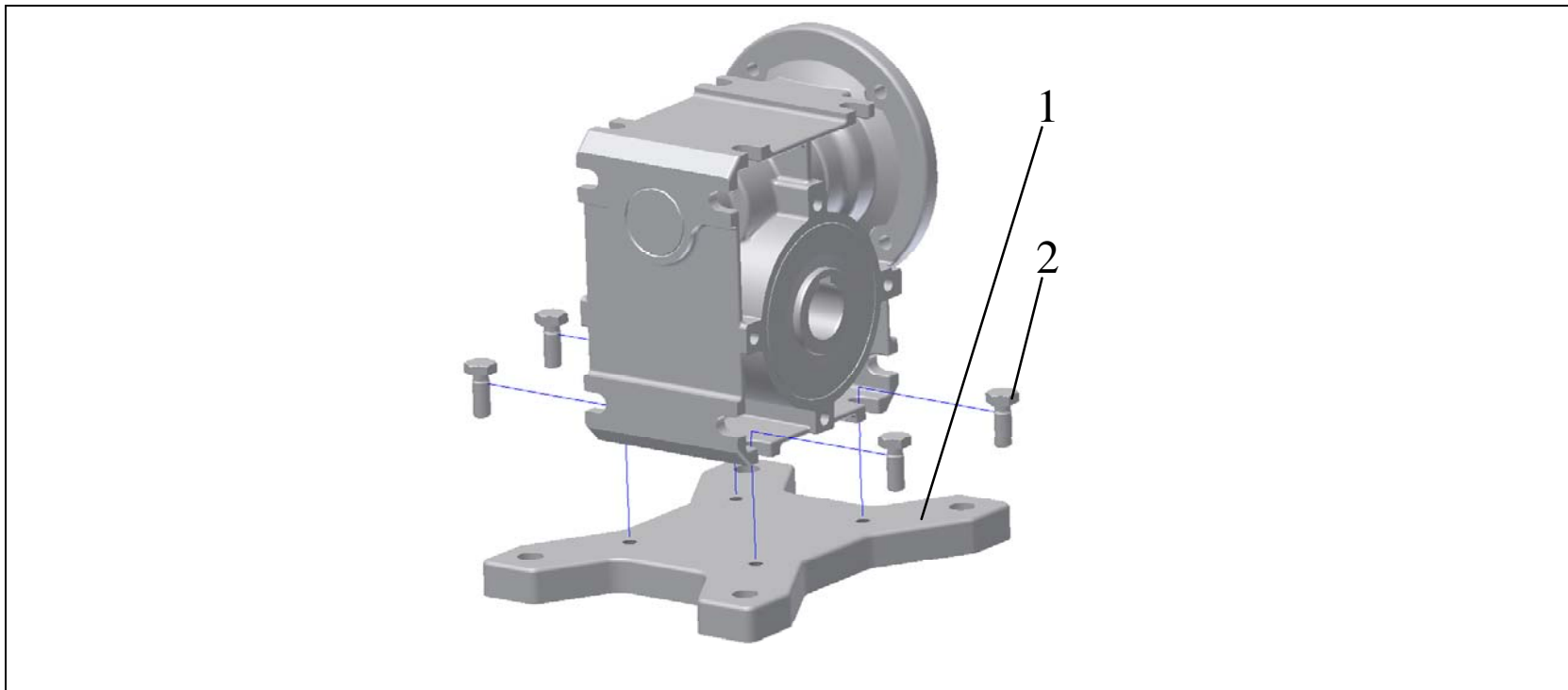
60593210



□ 60594600, □ 60694600
SK 1SI 50 / SK 1SI 63



| Set 60599600 | |
|--|--|
| 1  | 2  |
| 1x 605 1980 o. 1x 606 1980 | 4x M8 x 20 Nm = 27 |



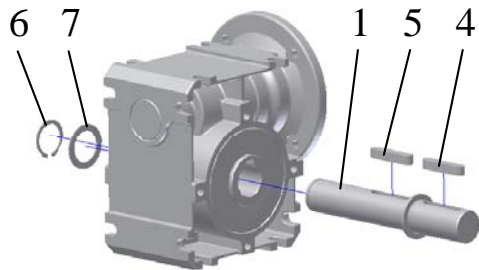
□ 60693010, □ 60693110, □ 60693210

SK 1SI 63

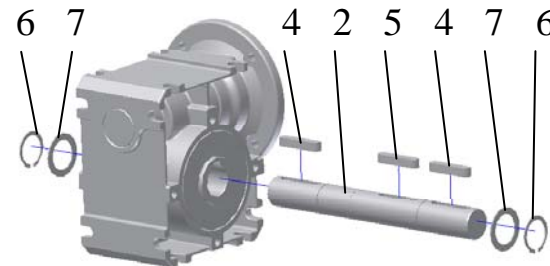


| Set 60699001 | | | | | | |
|--------------|-------------|-------------|--|---|-----------|------------|
| 1 | 2 | 3 | 4 | 5 | 6 | 7 |
| | | | | | | |
| 1x 606 3590 | 1x 606 3591 | 1x 606 3592 | 2x $\frac{1}{4} \times \frac{1}{4} \times 2$ | 1x $\frac{3}{8} \times \frac{3}{8} \times 2\frac{1}{4}$ | 2x SR A36 | 2x 37x47x2 |

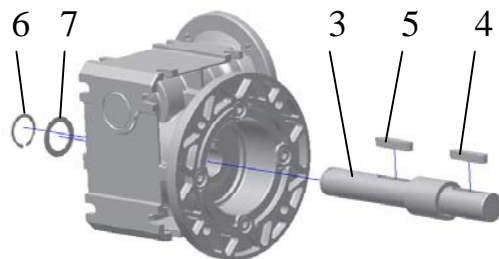
60693010



60693110








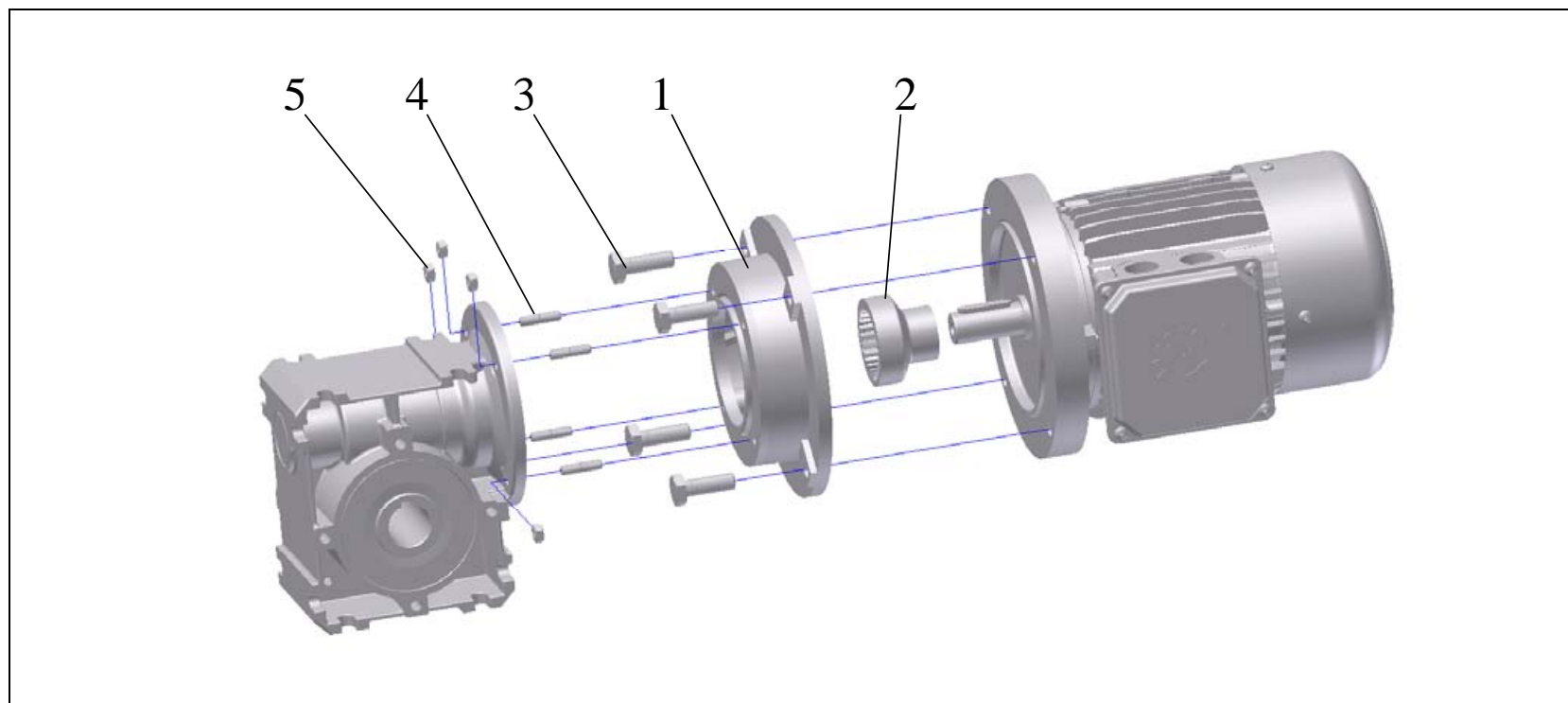
60693210



60695500
SK 1SI 50/63



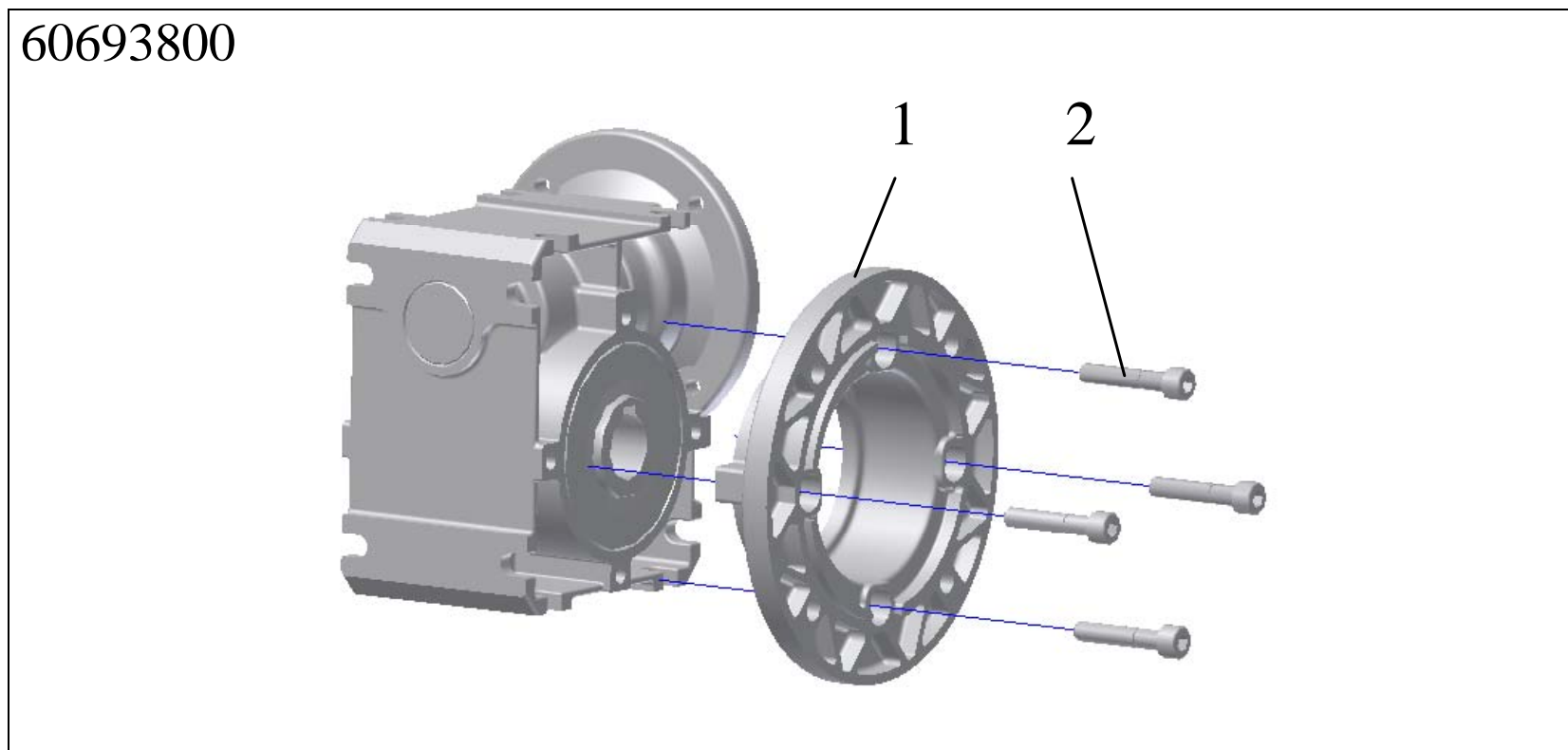
| Set 60699500 | | | | | | | | | |
|--------------------|---|------------------------|---|---------------------------|---|--------------------|---|---------------------------|---|
| 1 |  | 2 |  | 3 |  | 4 |  | 5 |  |
| 1x 606 1590 | | 1x BJ24 d=1-1/8 | | 4 x 1/2-13 x 1 1/2 | | 4 x M6 x 15 | | 4 x M6 Nm = 11 | |



60693800
SK 1SI 63



| Set 60699800 | |
|--|--|
| 1  | 2  |
| 1x 606 1470 | 4x M10 x 40 Nm = 53 |



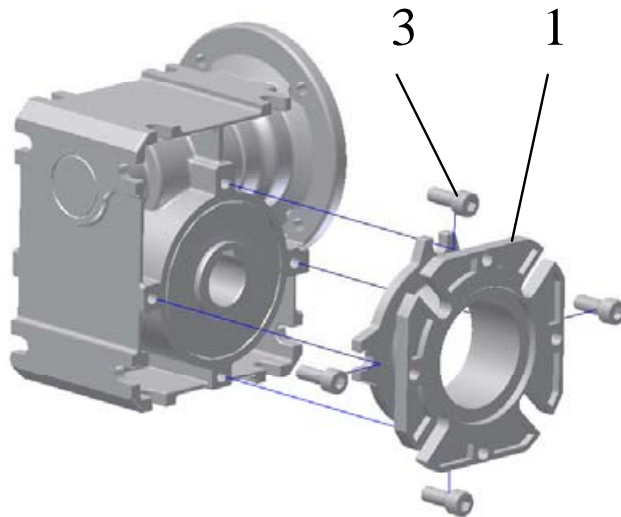
□ 60693810, □ 60693950

SK 1SI 63

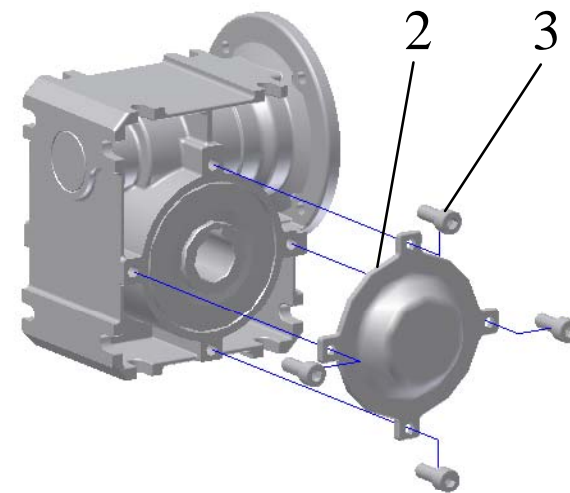


| Set 60699810 | | |
|--|--|--|
| 1  | 2  | 3  |
| 1x 606 1480 | 1x 606 1971 | 4x M10 x 20 Nm = 53 |

60693810



60693950



60693900
SK 1SI 63



| Set 60699900 | |
|--|--|
| 1  | 2  |
| 1x 606 9075 | 4x M10 x 25 Nm = 53 |

60693900

